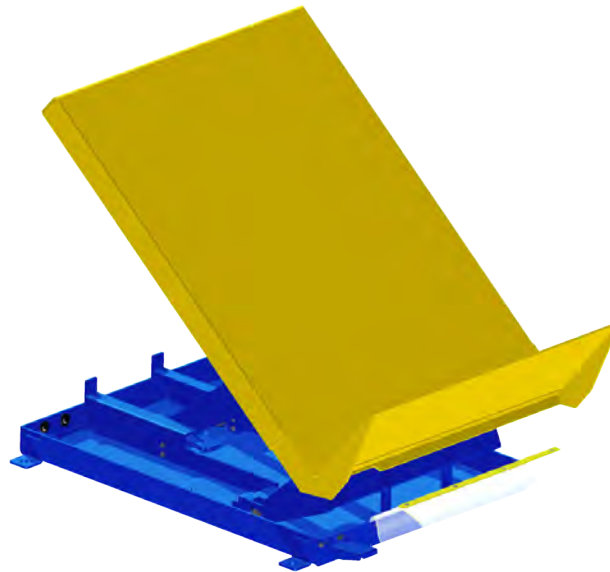


Warehouse Equipment Tilt Tables



Tilt Table (TT)



Powered Mobile Tilt Table (PMTT)

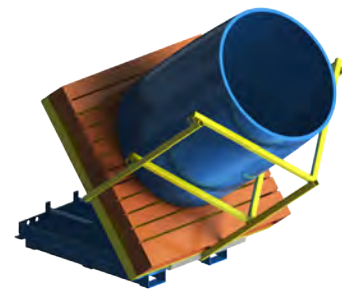
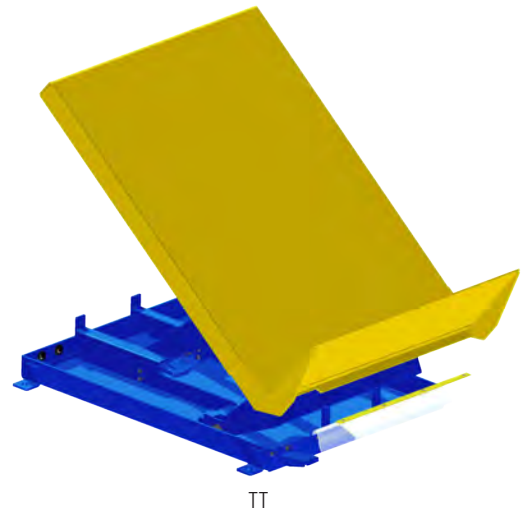
Tilt Tables prevent worker strain and fatigue by moving loads to an ergonomic height with the push of a button. When staff must repeatedly bend, reach, and lift, work slows down and injuries increase. Appropriately positioning work increases efficiency and prevents straining. Tilt Tables make this task easy. BHS offers stationary units as well as powered, mobile tilt tables.

TILT TABLES

Tilt Tables (TT) prevent physical strain and fatigue from lifting, bending, and reaching by tilting loads to a comfortable working height. The TT features loading access from three sides, a self-contained hydraulic power unit, and a convenient floor toggle switch which makes operation effortless. These units consume a minimal footprint while providing maximum efficiency.

FEATURES & BENEFITS

- Heavy-duty, formed steel construction for added reliability
- Floor mounting tabs with 0.75" (19 mm) diameter holes (anchors and hardware not included)
- Maintenance chocks included to lock unit
- Durable powder coat finish with yellow tilt-top to improve visibility and safety
- Closed hydraulic circuit
- Heavy-duty braided wire hydraulic lines for maximum burst strength and longevity
- Hardened chrome piston rod and honed cylinder provide added column strength and cylinder sealing
- Equipped with thermal overload protection and velocity fuses for additional safety
- Hydraulic components contained within the tilt table for maximum safety, floor space, and convenience
- Tilts up to 45°
- NEMA floor toggle switch included for easily accessible up/down function control
- Lifted/lowered height ranges from 8" to 40" (203 mm–1016 mm)
- Models available with 2,000 lb, 4,000 lb, or 6,000 lb (907 kg, 1814 kg, or 2722 kg) capacity



OPTIONS

Drum Tilter Tabletop (TT-DT)

Tabletop equipped with vee-cradle rails for securing round drums or barrels during tilt

Fork Pockets (TT-FP)

Fork pockets allow relocating the tilt table by lift truck to and from a worksite

MODELS & SPECIFICATIONS

Model	Capacity	Platform		Height		Overall			Max Tilt Angle	Lip Height	Cycle Time (Lift/Lower)
		Width	Length	Lowered	Raised	Width	Length	Height			
TT2K-3648	2,000 lb 907 kg	36" 914 mm	48" 1219 mm	8" 203 mm	40" 1016 mm	36" 914 mm	50.5" 1282 mm	16" 406 mm	45°	8" 203 mm	20 s / 20 s
TT2K-4848	2,000 lb 907 kg	48" 1219 mm	48" 1219 mm	8" 203 mm	40" 1016 mm	48" 1219 mm	50.5" 1282 mm	16" 406 mm	45°	8" 203 mm	20 s / 20 s
TT4K-3648	4,000 lb 1814 kg	36" 914 mm	48" 1219 mm	8" 203 mm	40" 1016 mm	36" 914 mm	50.5" 1282 mm	16" 406 mm	45°	8" 203 mm	20 s / 20 s
TT4K-4848	4,000 lb 1814 kg	48" 1219 mm	48" 1219 mm	8" 203 mm	40" 1016 mm	48" 1219 mm	50.5" 1282 mm	16" 406 mm	45°	8" 203 mm	20 s / 20 s
TT6K-3648	6,000 lb 2722 kg	36" 914 mm	48" 1219 mm	8" 203 mm	40" 1016 mm	36" 914 mm	50.5" 1282 mm	16" 406 mm	45°	8" 203 mm	20 s / 20 s
TT6K-4848	6,000 lb 2722 kg	48" 1219 mm	48" 1219 mm	8" 203 mm	40" 1016 mm	48" 1219 mm	50.5" 1282 mm	16" 406 mm	45°	8" 203 mm	20 s / 20 s

POWERED MOBILE TILT TABLES

The Powered Mobile Tilt Table (PMTT) improves productivity and ergonomics by tilting loads up to a comfortable working height. A hydraulic power unit is contained and guarded within the unit and features a push button control. The PMTT is equipped with two casters and polyurethane load rollers for effortless maneuverability and is available with fork over or straddle style operation.

FEATURES & BENEFITS

- Heavy-duty, formed steel construction for added reliability
- Angled push bars for effortless maneuverability
- Maintenance chocks included to lock unit
- Durable powder coat finish with yellow tilt-top to improve visibility and safety
- Closed hydraulic circuit
- Heavy-duty braided wire hydraulic lines for maximum burst strength and longevity
- Hardened chrome piston rod and honed cylinder provide added column strength and cylinder sealing
- Equipped with thermal overload protection and velocity fuses for additional safety
- Hydraulic components contained within the tilt table for maximum safety, floor space, and convenience
- Tilts up to 90°
- Two 8" (203 mm) diameter x 2" (51 mm) wide locking, swivel, polyurethane casters and polyurethane load rollers for transport
- Push button control with a caddy
- 3.375" (86 mm) lowered height and 40" (1016 mm) raised height
- Models available with 2,000 lb or 4,000 lb (907 kg or 1814 kg) load capacity



PMTT

MODELS & SPECIFICATIONS

Model	Capacity	Mast		Height		Overall			Max Tilt Angle	Fork Length	Cycle Time (Lift/Lower)	Description
		Width	Height	Lowered	Raised	Width	Length	Height				
PMTT2K-4034	2,000 lb 907 kg	34" 864 mm	33.375" 848 mm	3.375" 86 mm	38.375" 975 mm	34" 864 mm	63.5" 1613 mm	35.4375" 900 mm	90°	40" 1016 mm	20 s / 20 s	Fork-over
PMTT2K-4024-S	2,000 lb 907 kg	24" 610 mm	32" 813 mm	3.5" 89 mm	40" 1016 mm	52" 1321 mm	54" 1372 mm	34" 864 mm	90°	40" 1016 mm	20 s / 20 s	Straddle
PMTT4K-4034	4,000 lb 1814 kg	34" 864 mm	33.375" 848 mm	3.375" 86 mm	38.375" 975 mm	34" 864 mm	63.5" 1613 mm	35.4375" 900 mm	90°	40" 1016 mm	20 s / 20 s	Fork-over
PMTT4K-4024-S	4,000 lb 1814 kg	24" 610 mm	32" 813 mm	3.5" 89 mm	40" 1016 mm	52" 1321 mm	54" 1372 mm	34" 864 mm	90°	40" 1016 mm	20 s / 20 s	Straddle

